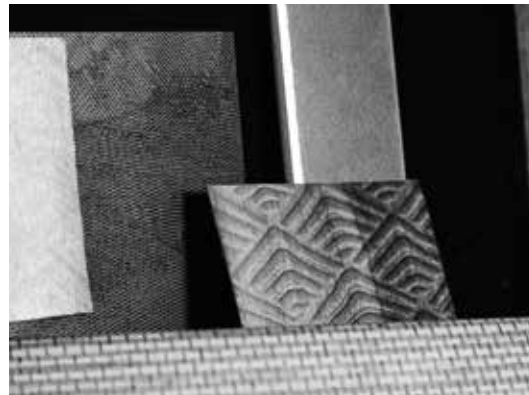




IMPORTED FROM DETROIT®



The 2017 **Chrysler 300**



The Chrysler 300 is more than an icon of a brand — it's a pillar of a company renowned for providing innovation and modern design to the masses. It stands for premium engineering like an advanced all-wheel-drive system, technology like active safety features and leading-edge fuel efficiency, along with the distinctive design worthy of all that its wings carry.





A parallel span
of design with purpose.

Dynamic and enduring architecture serves myriad purposes bearing a strong connection to design, function and its surroundings. The Chrysler 300 stands apart to the highest degree with lines that portray the solid yet seamless flow each driver feels. The formation closes gaps delivering advanced aerodynamic performance as details like ribbon-like chrome elements provide aesthetic balance and distinction.

George Washington Bridge, New York



Duality at its finest,
engineered for strength.

The roots of this family tree run deep. Through the evolution of the legendary 300 collection, its innate strength and stunning shape remain true. The uniquely square, chiseled face features premium chrome applications symbolizing engineering brilliance and innovation in its construction. Framing the signature lighting, wing badge and grille designs, the fascia hardware leads the visual continuity that is undeniably Chrysler.

300C Platinum shown in Maximum Steel Metallic

The dominant one brings attitude to every occasion.

Take your rightful place in any driveway with the best of American inspiration and an imposing silhouette that demands attention with extroverted sophistication. This commanding full-size sedan with standard V6 engine, or an authoritative, available V8 along with sculpted aerodynamics and premium interiors, makes 300 a benchmark for powerful luxury in its class. It brings forth the bold shape and larger-than-life character that's always ready to perform for an audience as easily as for its drivers.



300C Platinum shown in Maximum Steel Metallic



300S shown in Redline Red Tri-Coat Pearl with S Model Appearance Package



The all-wheel drive with front-axle disconnect on the 300 can remove power to the front wheels when rear-wheel-drive performance is optimal, automatically engaging AWD when needed. There is no need to select RWD or AWD, as the intelligent controls ensure that the proper mode is engaged when necessary depending on road-surface traction, temperature and driving dynamics.

Advanced all-wheel-drive (AWD) system.

The available advanced AWD system detects wheel-slip and kicks in automatically to distribute power between front and rear wheels. AWD also engages when the driver turns off the Electronic Stability Control (ESC)^{1*} system or when driving in Sport mode. In cases of inclement weather, AWD is tuned to minimize oversteer and maximize traction where snow, ice, mud, sand or gravel are present. The AWD system on 300 also offers the fuel-saving technology of rear- and front-axle disconnect, giving you the ultimate in performance and traction when you need them, and optimal fuel efficiency when you don't.

¹*A note about this brochure: all disclaimers and disclosures can be found in the back of this brochure.

Leaps and bounds ahead.



The available AWD system automatically engages to optimize traction on sharp road inclines and declines, during inclement weather, and under challenging road-surface conditions.

Firm traits of tolerance.

Some of the strongest attributes are what you don't see. A thorough test drive will prove that this car is built for refined ride and handling that turn harsh city streets into a relaxed and leisurely cruise.



300C Platinum shown in Billet Silver Metallic

Calibrated to skillfully corner rough pavement.

What you'll notice most when you drive the 300 is that you don't notice potholes, grates and uneven road work. Thanks to the 4-wheel independent suspension, you and your passengers will simply notice a premium ride and handling. The optimally tuned suspension, shock absorbers and rear stabilizer deliver calibrated road-surface handling during cornering and over bumps, while the electric power steering contributes to exceptional feel and feedback.



300C Platinum shown in Jazz Blue Pearl

Because forging through is always in the forecast.

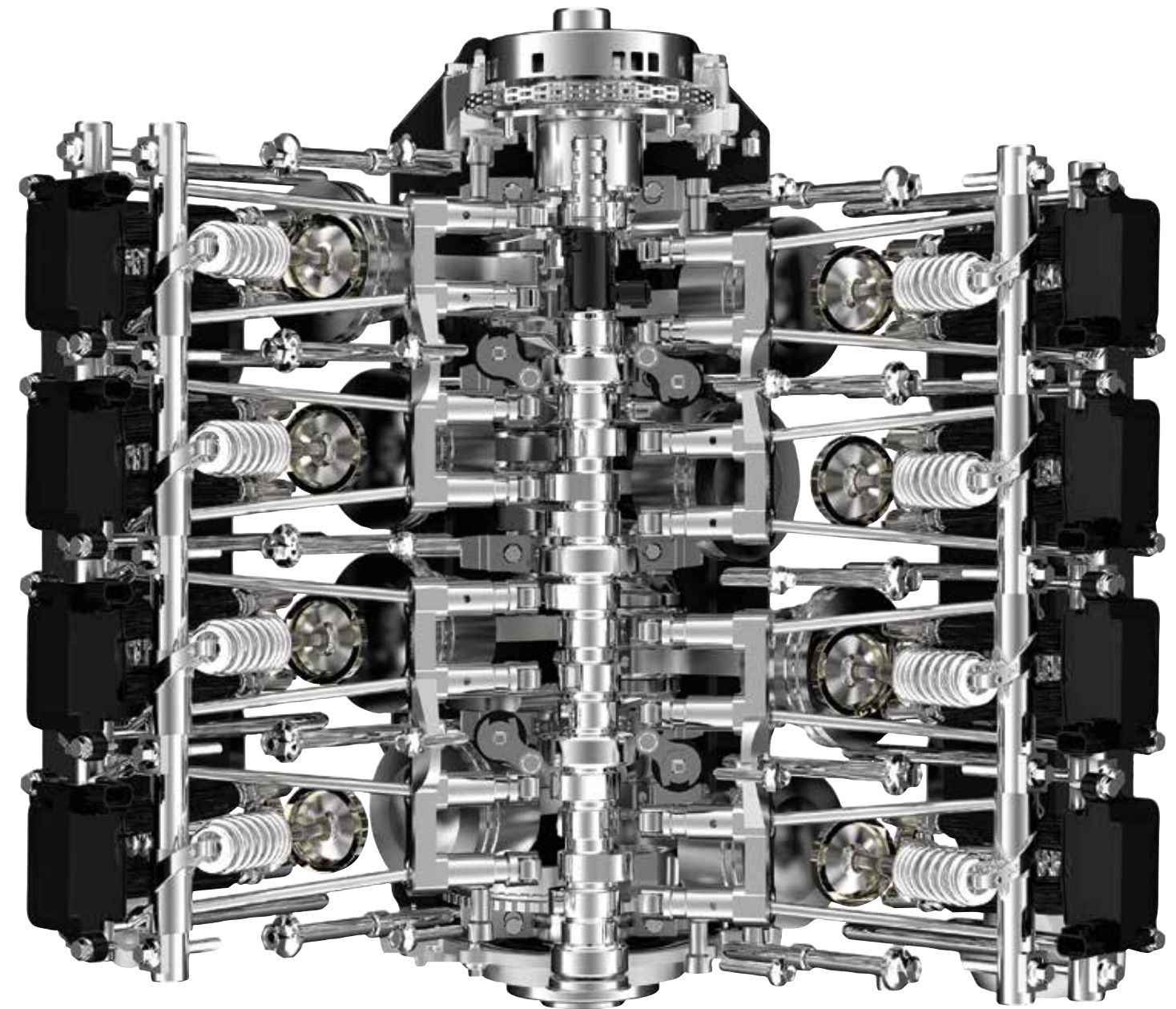
When little in life can be predicted, it's reassuring to know your vehicle is equipped for a smooth ride in nearly any given daily extreme. The athletic architecture and aerodynamic efficiency of the 300 contribute to the strategically engineered quiet of the cabin. A rigid structure along with tight fit and finish ensure insulation between the road and cabin, resulting in a reduction in wind noise, as well as a solid ride and handling experience. Add the available all-wheel-drive system and all-weather-ready is effortlessly part of your routine.





Operational excellence.

The 5.7L HEMI® V8 VVT engine, available on 300S and 300C, is powered to operate on 4 cylinders or 8, as needed.



300 HEMI® V8 engine

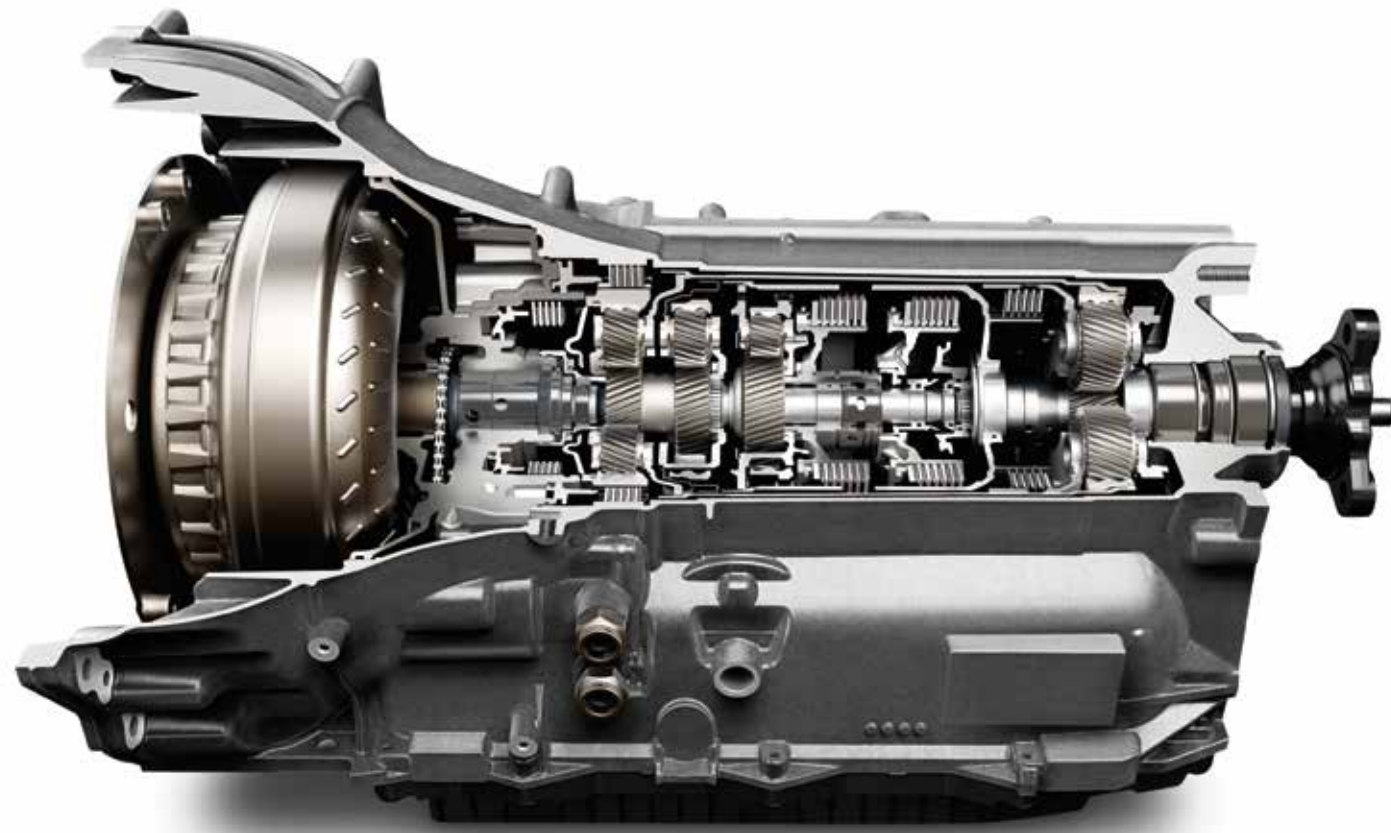
Fuel Saver Technology on 300.

For maximum power, choose the legendary 5.7L HEMI V8 Variable Valve Timing (VVT) engine with Fuel Saver Technology, available on the rear-wheel-drive (RWD) versions of the Chrysler 300S and 300C. It produces up to 363 horsepower and 394 lb-ft of torque. Delivering the power of a V8 with the efficiency of a four-cylinder engine, Fuel Saver Technology detects when full power isn't needed, such as highway cruising, and deactivates four of the eight cylinders to improve efficiency.

Up to 30 hwy mpg.*

8-speed transmission.

The standard 8-speed transmission provides greater fuel efficiency with full-power performance. It starts with the acclaimed 3.6L Pentastar® V6 engine with up to 300 horsepower and arms it with eight speeds to yield an EPA-estimated 19 city/30 hwy mpg.*



300 8-speed automatic transmission

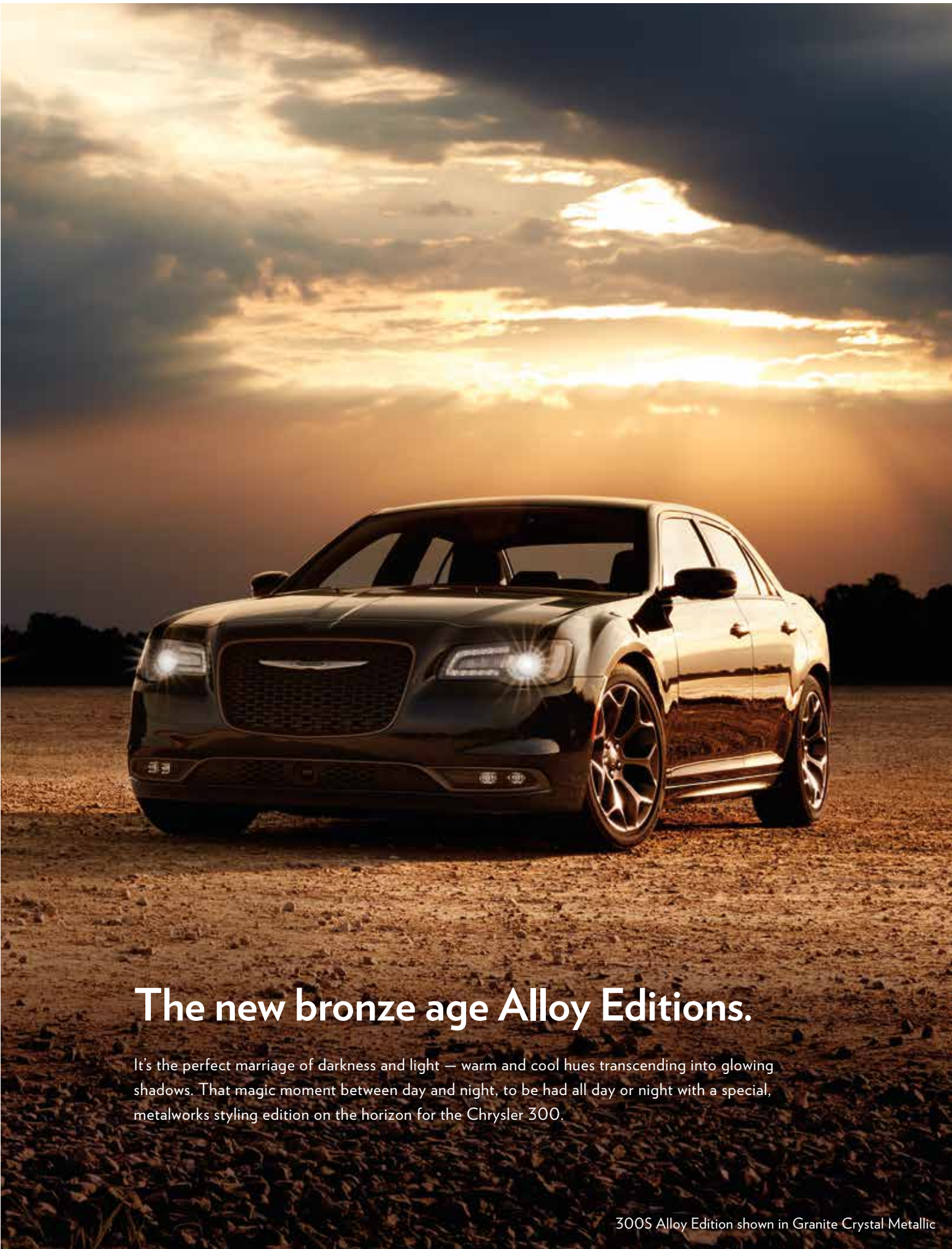


Geared to conquer.

For those who prefer to be in control at every turn. Each gear responds quickly during acceleration with smooth power delivery and transitions, while reducing overall noise, vibration and harshness (NVH). The available Sport Mode adds manual shifting to help maximize a dynamic experience. It allows drivers to navigate via steering wheel-mounted paddle shifters or opt to let the automatic transmission shift normally without driver input.



*Based on 2016 EPA estimates. Actual mileage may vary.



The new bronze age Alloy Editions.

It's the perfect marriage of darkness and light — warm and cool hues transcending into glowing shadows. That magic moment between day and night, to be had all day or night with a special, metalworks styling edition on the horizon for the Chrysler 300.

300S Alloy Edition shown in Granite Crystal Metallic



An alluring exterior features Dark Bronze upper and lower grille surrounds, Dark Bronze aluminum wheels, Liquid Titanium badging and Titanium-finish exhaust tips. The interior mixes available Black Nappa leather with Caramel stitching on seating surfaces, steering wheel, dash and door panels — all highlighted by Titanium-finish accents on the center console.



Shoulder room.

Spaciousness means more than physical comfort in the Chrysler 300. It allows a laid-back and welcoming environment offering a respite from the hectic world. The beauty and feel of premium materials and ergonomically designed seats help the driver and passengers alike find a peaceful and personal space to call their own.



300C Platinum quilted, perforated and ventilated Linen Nappa leather-wrapped seating

Designer's touch.

The sumptuous interior boasts seat features that include standard leather trim, heated front seats, available ventilated and heated front seats, and heated rear seats. The available rich, deep-quilted Linen leather-trimmed seats with Linen stitching and quilted door bolsters are the hallmark of the 300C Platinum model. Recline in the comfort of premium perforated Nappa leather-trimmed seats. Matte-finish Mocha real wood adds warm accents along with the heated two-tone leather-wrapped steering wheel and leather-wrapped dash.



300C Platinum Nappa leather door trim details

Lap of luxury.

Every sense awakens as you slip into the smooth, stately interior. The available leather-wrapped and accent-stitched seating, instrument panel, doors and center console, real wood accents, heated and cooled front-console cup holder, and generous leg and head room reveal the level of thought-out sophistication for your daily indulgence. An available Dual-Pane Panoramic Sunroof, which extends to the backseat, brings further magnificence to wherever your travels in the 300 take you.



300C Platinum shown with premium Indigo/Linen Nappa leather with Axis II perforated inserts



300S superhero.

Equipping the 300S with the S Model Appearance Package adds the forceful V8 engine and puts it on a mission to own the road and save the world one block at a time. With the added performance comes the exclusive front fascia with projector LED fog lamps, and aggressive rear deck lid spoiler, lending styling cues and giving it a planted look. Combining a Black Chrome surround with the Gloss Black S grille gridwork, Black Chrome lower fascia treatment, 20-inch Hyper Black wheels and available Black roof turns 300 into a street-smart and enterprising crusader.

S Model Appearance Package

Designed to move you.

BeatsAudio™ technology is crafted by Dr. Dre and Jimmy Iovine — the talent behind so many of your favorite hits. They've taken their experience in the studio working with world-class artists and translated it to BeatsAudio. The result is a unique blend of science and artistry, applying a distinct tuning process available on the 300S — a partnership that lends the most merit to artists heard from this passionately tuned system.



 beatsaudio.

BeatsAudio available 10-speaker system plus subwoofer



Acoustic perfection: the impressive 19-speaker Harman Kardon® sound system.

Well-known in the world of high-end audio, Harman Kardon gives you a clear, powerful sound experience that delivers:

- GreenEdge™ unity coaxial mid-range speakers with integrated tweeters
- Harman Kardon GreenEdge subwoofers
- 12-channel, Class D amplifier with 35-volt tracking power supply and Logic 7® surround sound processing

Standard on 300C Platinum and available on 300C, the system is tailored to provide the driver and passengers with the ultimate music playback realism, maximizing each listening spot and sound stage from any seat.



A standard six-speaker sound system incorporates high-performance, injection-molded woofers, including two 3.5-inch speakers located in the instrument panel, and two six- by nine-inch speakers located in the front doors as well as in the rear shelf. It's a 276-watt system that makes each drive all about you.

Travel. Connect.

Experience your unique life and connections, every moment of every drive.

SiriusXM® All Access Package²

Get over 160 channels on your radio, including premium programming and Instant Replay to pause, replay, rewind and fast-forward programs. One-year trial.

SiriusXM² on the App and Online.

Stream SiriusXM² beyond your car. Go to siriusxm.com/getallaccess for more information.

SiriusXM Traffic Plus/Travel Link²

Get detailed information on traffic, construction, road closures and more, as well as weather forecasts, fuel prices, sports scores and movie schedules.



Uconnect® Phone.

Pair a Bluetooth® enabled phone with Uconnect by simply pressing the steering-wheel Phone button and following the prompts. Then send and receive calls hands-free.³

Voice Recognition.

Select radio stations and SiriusXM² channels and navigation destinations, and make calls and record voice memos. The system can be trained to recognize your voice and understand English, French and Spanish.

Drag and Drop Menu Bar.

Personalize the dashboard with your top six features and services.

Do Not Disturb.

Route incoming calls to voice mail and hold texts. Choose to receive a visual prompt of calls and texts and send an automated reply.

One-step Navigation.

Available on Uconnect 8.4 radio systems with navigation, this full-feature navigation system includes 3D city and landmark imaging, digital terrain maps, enhanced screen graphics and one-step voice destination entry.

Climate.

Climate, heated seats, steering-wheel buttons and mirror dimmer can be controlled via the 8.4-inch touchscreen, as well as voice activation.

Android Auto™

Automatically provides a safer way to use Android while driving, sharing information while you easily access the best of Google: Maps with voice-guided navigation and Play Music; place phone calls or send and receive messages and ask Google search any question by voice command.⁵



Apple CarPlay™

A smarter, safer way to use an iPhone® inside your vehicle and seamlessly integrate it with the Uconnect® touchscreen and Siri®⁴ voice control. You can make calls, access music, send and receive messages⁷, get directions optimized for traffic conditions and more while staying focused on the road.



300 8.4-inch touchscreen radio system includes the new Apple CarPlay™ and Android Auto™ capability. DRIVEUCONNECT.COM



Steer clearly.



Control center.

Centrally located buttons on the steering wheel provide ease of operation for the 8.4-inch Uconnect® touchscreen, as well as the audio, voice,³ speed controls and available Adaptive Cruise Control (ACC).⁶ The Electric Power Steering provides three available driver-selectable steering modes: Normal, Comfort and Sport, allowing for more responsive steering for spirited driving, while maintaining ease at low speeds and when parking.



7-inch Driver Information Display (DID).

Personalize the information you want to see. The full-color DID in the instrument cluster seamlessly integrates crisp, configurable graphics with analog instruments. The distinctive blue-ambient display allows for a wide range of settings, including audio, speed, compass, temperature, fuel economy, trip, cruise control, vehicle status and engine performance, all adding up to over 7,000 available driver configurations.

Standard 8.4-inch touchscreen.

The Uconnect® touchscreen system takes non-distracted driving very seriously, which is why the 300 offers such user-friendly conveniences built to keep your eyes on the road.

Position of authority.

The three-spoke leather-wrapped steering wheel provides a sturdy, ergonomic grip along with a clear view of gauges. An available two-tone premium Nappa leather-wrapped and stitched, tilt/telescoping-column steering wheel brings a luxurious look and symbols are paddle shifters used to manually control the gears if you so choose to. The available paddle shifters are used in Sport mode for full performance-driving capabilities.

Warmth to hold onto.

Because waiting for heat isn't an option on cold mornings — the available heated steering wheel delivers immediate warmth operated via the Uconnect touchscreen display. With the available Remote Start, the heated steering wheel can be programmed to activate automatically when temperatures outside dip below 40°.



Solid framework.

The body frame strategically mixes and positions advanced high-strength steels, resulting in outstanding occupant protection in the event of front, side or rear impact. The front and rear crumple zones are specially formed structural sections that crumple and absorb energy in a collision, helping to protect the occupant cabin.



Safety cage/air bag⁷ deployment

Equipped to protect.

The standard air bags⁷ include front dual-stage air bags⁷ with adaptive venting technology, driver knee air bags⁷, as well as front-seat-mounted side-impact air bags⁷, which extend over front and rear-seating rows. Advanced multistage low-risk deployment front air bags⁷ incorporate adaptive venting technology, which delivers varying levels of deployment based on occupant size and impact severity.



Modern marvel of safety and security.

State-of-the-art engineering forges with the latest in tested safety and security technology, evolving structural integrity with features that measure beyond a driver's vision.

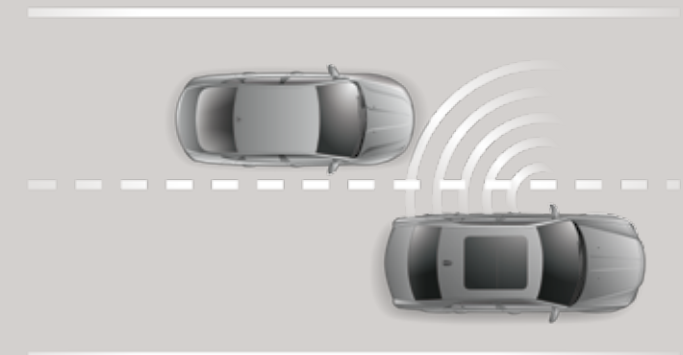
Expand your space and time.

These active standard and available safety, security and technology features automatically react to help prevent a potential impact.



Full-Speed Forward Collision Warning with Active Braking⁸

This available system features Active Braking which slows the vehicle to prevent a potential impact. Using radar and video sensors, the system detects whether the vehicle is approaching another vehicle or large obstacle in its path too rapidly, warning and assisting the driver in avoiding the incident. The driver has the ability to adjust the sensitivity and turn brake support on or off.



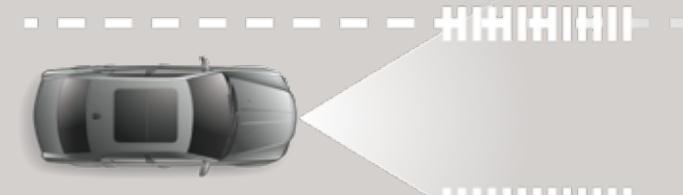
Blind Spot Monitoring⁹ – Sees where you can't.

This available system continuously monitors rear blind zones on either side of your vehicle via radar and, if a vehicle is sensed in the zones, will notify you via a yellow triangle symbol on the outside rearview mirror. Available Rear Cross-Path Detection¹⁰ monitors for vehicles/objects in perpendicular relationships to the vehicle when maneuvering backward in parking lots, and provides feedback to you by audible chimes and/or visual icons.



Adaptive Cruise Control (ACC) with Stop⁶

This available system identifies vehicles in the forward path by utilizing radar and video sensors to help maintain a safe distance between your vehicle and the one in front of it. ACC with Stop⁶ has the ability to manage cruising speeds between 0 and 100 mph with one of four following distances. The system maintains the distance until 0 mph, holding the brakes for two seconds then resuming forward, requiring the driver to take control and manually apply brakes.

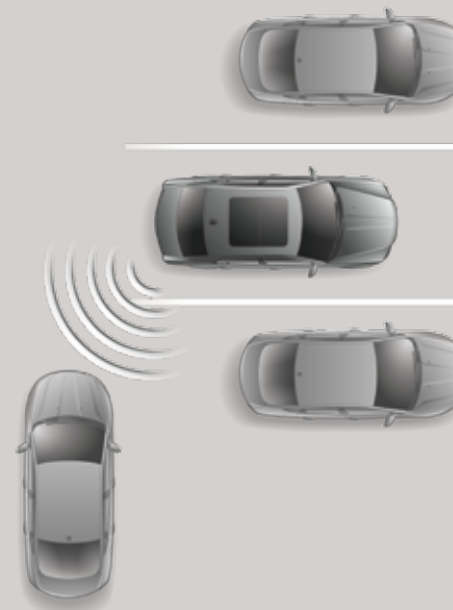


LaneSense[®] Lane Departure Warning with Lane Keep Assist¹¹ – Moves your vehicle back into its intended lane.

With a camera mounted inside the rearview mirror and on the front fascia of the vehicle, the available LaneSense system¹¹ can identify the lines on the road. It determines where your vehicle is positioned relative to the lines, warning you through the cluster display if you drive onto either line without using a turn indicator. If nothing is done to correct the drift, the system will automatically align the vehicle to its correct lane position.

Object-detecting.

Tight parking situations don't have to include apprehension with the aid of the available ParkSense® Front and Rear Park Assist¹⁰ System on the 300 that uses sensors located at the front and rear of the vehicle. The integrated sensors send out ultrasonic waves when the vehicle is driven in Forward or Reverse at low speeds. The sensors pick up the echo of the transmitted signals to determine relative distance. Read-outs located in the cluster display will notify you of front/rear object proximity.



Available ParkSense^{®10}

Your luck in securing a great parking spot just took a turn for the better with this automatic, exterior object-detection system. Parking in close range to other vehicles or objects is made easy with four sensors positioned on the front and rear bumpers. The system alerts you with a chime if your vehicle is too close to another vehicle or object, such as a building, bike, parking meter or lot barrier. A visual reference is also located in the Driver Information Display (DID) for enhanced parking convenience.



300C Platinum shown in Granite Crystal Metallic

2017 300 Standard & Optional Features

	300 Limited	300S	300C	300C Platinum	300 Limited AWD	300S AWD	300C AWD	300C Platinum AWD
Powertrain								
3.6L Pentastar® Variable Valve Timing (VVT) V6 with 8-speed Automatic Transmission	s	s	s	s	s	s	s	s
5.7L HEMI® VVT V8 with Multi-Displacement System (MDS) Fuel Saver Technology and interactive Deceleration Fuel Shut-Off (IDFSO) with 8-speed Automatic Transmission		o	o	o				
Mechanical Features								
Alternators — 160-amp	s				s			
— 180-amp		s	s	s		s	s	s
Battery — 730-amp, maintenance-free	s	s	s	s	s	s	s	s
Brakes — 4-wheel disc antilock with vented front and solid rear discs (includes All-Speed Traction Control)	s	s	s	s				
— Performance (available with 5.7L HEMI V8 engine)		p	p	p	s	s	s	s
Cruise Control	s	s	s	s	s	s	s	s
— Adaptive Cruise Control with Stop ⁶ (included with SafetyTec™ Plus)		p	p	p		p	p	p
Exhaust System — Dual with bright tips	s	s	s	s	s	s	s	s
Fuel Filler System — Capless, with remote fuel-door release	s	s	s	s	s	s	s	s
Fuel Tank — 18.5-gallon	s	s	s	s	s	s	s	s
Remote Keyless Enter 'n Go™ — Proximity entry and push-button ignition system	s	s	s	s	s	s	s	s
Sport Mode — Selectable Sport-tuned transmission shift points (requires steering wheel-mounted shift controls; included with 5.7L engine)		s	p	s		s		s
Steering — Electric	s	s	s	s	s	s	s	s
Suspension — 4-wheel independent comfort			s					
— 4-wheel independent touring (included with 20-inch wheels)	s			s				
— 4-wheel independent performance (included with 5.7L HEMI V8 engine)		s/p						
— 4-wheel independent AWD					s	s	s	s
Tip Start System	s	s	s	s	s	s	s	s

Exterior Features

Badging — AWD								
— AWD with Platinum finish					s	s	s	
— 300	s				s			
— 300S		s				s		
— 300S — Bronze finish (included with 300S Alloy Edition)		p				p		
— 300C — Chrome finish			s				s	
— 300C — Platinum finish				s				s
— Liquid Chrome wing badge with Black accent			s			s		
— Liquid Chrome wing badge with Blue accent	s		s	s	s		s	s
— Liquid Titanium wing badge with Black accent (included with 300S Alloy Edition)		p				p		
Black Painted Roof								
		o				o		
Cladding — Lower bodyside								
— Sport lower bodyside (included with S Model Appearance Package on V6; included with V8)		p/s				p/s		
Door Handles — Body-color								
— Bright			s					s
— Platinum				s				s
Glass — Acoustic windshield and front doors; Solar-Control front and rear windows								
	s	s	s	s	s	s	s	s
Grille — Bright Chrome surround with Black grille								
— Black Chrome surround with Gloss Black grille		s				s		
— Bright Chrome surround with Granite Crystal grille				s				s
— Dark Bronze surround with Gloss Black grille (included with 300S Alloy Edition)		p				p		
— Platinum Chrome surround with Luxury Black grille				s				s
Headlamps — Adaptive Bi-xenon High Intensity Discharge (HID) with delay and automatic-leveling system (included with Comfort Group)								
		p	p	s		p	p	s
— Auto High-Beam Headlamp Control (included with SafetyTec Plus)		p	p	p		p	p	p
— Automatic	s	s	s	s	s	s	s	s
— Bifunctional halogen projector with delay	s	s	s	s	s	s	s	s
— Black bezels		s				s		
— Chrome bezels	s		s	s	s		s	s
— LED Daytime Running Lamps (DRLs)	s	s	s	s	s	s	s	s
— Fog lamps (packaged with Value Package, 300 Premium Group or Driver Convenience Group)	p	s	s	s	p	s	s	s

s — standard | o — optional | p — package

2017 300 Standard & Optional Features, continued

	300 Limited	300S	300C	300C Platinum	300 Limited AWD	300S AWD	300C AWD	300C Platinum AWD
Exterior Features, continued								
Mirrors — Auto tilt-down adjust (when in Reverse; included with 300S Premium Group and Comfort Group)		p	s	s		p	s	s
— Blind Spot Monitoring ⁹ and Rear Cross-Path Detection ¹⁰ (included with SafetyTec™ Plus, 300 Premium Group and Comfort Group)		p	p	p	p	p	p	p
— Body-color	s	s			s	s		
— Chrome			s					s
— Platinum				s				s
— Courtesy lamps (driver/passenger; included with SafetyTec Plus, 300 Premium Group, 300S Premium Group and Comfort Group)	p	p	p	pp	p	p	p	p
— E-Chromic auto-dimming (driver's side only; included with 300 Premium Group, 300S Premium Group and Comfort Group)	p	p	s	s	p	p	s	s
— Memory (driver-seat, power tilt/telescoping steering wheel, exterior mirrors and radio; included in 300S Premium Group and Comfort Group)		p	s	s		p	s	s
— Power/manual foldaway, heated	s	s			s	s		
— Power/multifunction, manual foldaway			s	s			s	s
— Supplemental turn signals (driver/passenger; a feature of the power multifunction mirror, included with SafetyTec Plus, 300 Premium Group, 300S Premium Group and Comfort Group)	p	p	p	p	p	p	p	p
Tires — P225/60R18 BSW Touring								
	s		s					
— P235/55R19 BSW All-Season					s	s	s	s
— P245/45R20 BSW All-Season Performance (included with 20-inch aluminum wheel)		s	p					s
— P245/45ZR20 BSW Performance		o						
— Compact spare	s	s	s	s	s	s	s	s
Wheels — 18-inch polished aluminum								
	s		s					
— 19-inch polished aluminum					s			s
— 19-inch Hyper Black aluminum							s	
— 19-inch polished aluminum with Satin finish								s
— 19-inch Dark Bronze aluminum (included with 300S Alloy Edition)							p	
— 20-inch Hyper Black aluminum		s						
— 20-inch Dark Bronze aluminum (included with 300S Alloy Edition)		p					p	
— 20-inch polished aluminum with Satin finish			o	s				
Windows — Power, with driver and front-passenger 1-touch auto-up/down and anti-pinch feature								
	s	s	s	s	s	s	s	s
Wipers — 2-speed variable/intermittent								
	s	s	s	s	s	s	s	s
— Rain-sensitive (packaged with SafetyTec Plus)		p	p	o		p	p	p

Interior Features

Air Conditioning — Dual-Zone Automatic Temperature Control (ATC) with humidity sensor								
	s	s	s	s	s	s	s	s
Air Filtration — Particulate air filter								
	s	s	s	s	s	s	s	s
Defroster — Rear window								
	s	s	s	s	s	s	s	s
Door Locks — Power, speed-sensitive; child-protection rear								
	s	s	s	s	s	s	s	s
Floor Mats — Front and rear								
	s	s	s		s	s	s	
— Luxury front and rear				s				s
Interior Accents — Satin Chrome								
	s		s	s	s		s	s
— Piano Black		s					s	
— Piano Black with Titanium (included with 300S Alloy Edition)		p					p	
— Charcoal Wood Hydrographic	s				s			
— Geo Tech Hydrographic		s					s	
— Black Olive Ash Burl real wood			s					s
— Natural-Pore Mocha real wood				s				s
Lighting — Glove box, trunk, front reading and map lamps, rear reading and courtesy lamps								
	s	s	s	s	s	s	s	s
— LED driver and front-passenger lower front footwell lamps (included in Luxury Group)		p	s	s			p	s
— LED-illuminated front and rear map pockets (included in Premium Group 2)		p	s	s			p	s
— LED-illuminated front cup holders	s	s	s	s	s	s	s	s
— LED-illuminated rear cup holders	s	s	s	s	s	s	s	s
Memory System — Memory settings for two drivers for driver's seat, power steering column, exterior mirrors and radio (included with power multifunction mirrors)								
			s	s	s	s	s	s
Mirrors — Rearview, auto-dimming								
	s	s	s	s	s	s	s	s
— Visor vanity, illuminated, driver and passenger sides	s	s	s	s	s	s	s	s

s — standard | o — optional | p — package

2017 300 Standard & Optional Features, continued

	300 Limited	300S	300C	300C Platinum	300 Limited AWD	300S AWD	300C AWD	300C Platinum AWD
Interior Features, continued								
Passenger Assist Handles — Front, illuminated rear	s	s	s	s	s	s	s	s
Power Accessory — 12-volt power outlets in center-front instrument panel, center console and back of center console, with delay feature	s	s	s	s	s	s	s	s
Power Backlight Sunshade — Included in Comfort Group (not available with Harman Kardon® Audio Group)		p	s	s		p	s	s
Seating — 8-way power driver's with 4-way power lumbar adjuster	s				s			
— 8-way power driver's and front-passenger with 4-way power lumbar adjuster (included with Driver Convenience Group)	p	s	s	s	p	s	s	s
— Heated front	s	s	s	s	s	s	s	s
— Heated second-row (included in Comfort Group)		p	s	s		p	s	s
— Nappa leather-trimmed bucket	s				s			
— Sport Nappa leather-trimmed bucket		s				s		
— Sport Nappa perforated leather-trimmed bucket (included with Comfort Group)		p				p		
— Performance Nappa leather and Alcantara® suede-trimmed bucket		o				o		
— Nappa premium perforated leather-trimmed bucket			s				s	
— Nappa luxury-quilted and perforated leather-trimmed bucket				s				
— Premium leather interior trim: premium Nappa leather wrapped on door armrest, door bolster and center console armrest; Poltrona premium leather wrapped on instrument panel, cluster brow, door upper and center-console side panels				o				o
— Rear 60/40 split-folding bench with armrest and cup holders	s	s	s	s	s	s	s	s
— Ventilated front (included with Comfort Group and Performance Nappa/Alcantara bucket seats)		p	s	s		p	s	s
Shift Knob — Rotary dial	s	s	s	s	s	s	s	s
Speedometer — 140-mph	s	s	s	s	s	s	s	s
— 160-mph (included with 5.7L HEMI® V8 engine)		p	p	p				
Steering Column — Manual tilt/telescoping	s	s			s	s		
— Power tilt/telescoping with memory (packaged in Comfort Group)		p	s	s		p	s	s
Steering Wheel — Heated (included in Comfort Group)		p	s	s		p	s	s
— Leather-wrapped	s	s			s	s		
— Leather-wrapped with real-wood accent			s				s	
— Luxury two-tone leather-wrapped with chrome accent				s				s
— Steering wheel-mounted shift controls (paddle shifters; included with 5.7L HEMI V8 engine)		s	p	s		s		s
— Steering wheel-mounted audio controls	s	s	s	s	s	s	s	s
Sunroof — Panoramic full-power front and fixed rear, with 1-touch open/close feature (included with Value Package or 300S Premium Group)	o	o/p	s	s	o	o/p	s	s
Temperature Display — Outside reading, with compass	s	s	s	s	s	s	s	s
Safety & Security								
Air Bags ⁷ — Advanced multistage driver and front-passenger	s	s	s	s	s	s	s	s
— Driver's-side inflatable knee bolster	s	s	s	s	s	s	s	s
— Supplemental front-seat thorax side	s	s	s	s	s	s	s	s
— Supplemental side-curtain for front and rear outboard occupants	s	s	s	s	s	s	s	s
Child Seat Anchor System (LATCH) — Mounts for 2 child seats in the 2nd row help ease the installation of compatible aftermarket child seats	s	s	s	s	s	s	s	s
Electronic Stability Control (ESC) ¹ — Includes Brake Assist	s	s	s	s	s	s	s	s
SafetyTec™ Plus — Includes Advanced Brake Assist, rain-sensitive windshield wipers, LaneSense® Lane Departure Warning with Lane Keep Assist ¹¹ , Auto High-Beam Headlamp Control, Full-Speed Forward Collision Warning with Active Braking ⁸ , Adaptive Cruise Control with Stop ⁶ , body-color multifunction exterior mirrors with power, heated, auto-dimming driver's mirror, supplemental turn signals and courtesy lamps, ParkSense® Front and Rear Park Assist ¹⁰		o	o	o		o	o	o
Front Active Head Restraints ¹⁵	s	s	s	s	s	s	s	s
Front-passenger Seat Belt Alert	s	s	s	s	s	s	s	s
Hill Start Assist	s	s	s	s	s	s	s	s
ParkView® Rear Back-Up Camera ¹⁰	s	s	s	s	s	s	s	s
Rain Brake Support	s	s	s	s	s	s	s	s
Ready Alert Braking	s	s	s	s	s	s	s	s
Remote Start System (included in 300 Premium Group or Driver Convenience Group)	p	s	s	s	p	s	s	s
Security Alarm	s	s	s	s	s	s	s	s
Sentry Key® Theft Deterrent System — Antitheft engine immobilizer	s	s	s	s	s	s	s	s
Tire Pressure Monitoring Display — Located in Driver Information Display (DID)	s	s	s	s	s	s	s	s

s — standard | o — optional | p — package

2017 300 Standard & Optional Features, continued

	300 Limited	300S	300C	300C Platinum	300 Limited AWD	300S AWD	300C AWD	300C Platinum AWD
Uconnect®								
Audio Systems — 6 speakers	s				s			
— 6 premium speakers with 276-watt digital amplifier			s				s	
— 10 premium amplified speakers with 552-watt amplifier plus subwoofer		s				s		
— 19 premium speakers, with subwoofer and 900-watt amplifier (included with Harman Kardon® Audio Group; NAW power backlight sunshade)			p	s			p	s
— Uconnect 8.4 AM/FM radio system with CD/DVD/MP3 format capability, Apple CarPlay™ and Android Auto™ audio input jack and 2 USB ports for media devices, SiriusXM® Satellite Radio ² with 1-year trial included with 8.4 and 8.4 with Navigation, 8.4-inch touchscreen for displaying music and vehicle information, climate controls and Bluetooth® Streaming Audio	s	s			s	s		
— Uconnect 8.4 with Navigation AM/FM radio system with CD/DVD/MP3 format capability, Apple CarPlay and Android Auto, audio input jack, 2 USB ports for media devices, 8.4-inch touchscreen for displaying music and vehicle information, climate controls, SiriusXM Satellite Radio ² with 1-year trial included, SiriusXM Travel Link ² and SiriusXM Traffic Plus with 5-year trial included and Bluetooth Streaming Audio (included with 300 Premium Group, 300S Premium Group, Driver Convenience Group or Value Package)	p	p	s	s	p	p	s	s
Integrated Voice Command ⁵ — Includes hands-free ³ calling and Bluetooth Streaming Audio	s	s	s	s	s	s	s	s
SiriusXM Satellite Radio ²	s	s	s	s	s	s	s	s

Packages/Equipment Groups

300 Premium Group — Includes power multifunction heated mirrors with chrome caps, supplemental turn signals, courtesy lamps, auto-dimming driver's mirror, LED fog lamps, BeatsAudio™ 10-speaker system with 552-watt amplifier and subwoofer, Uconnect 8.4 with Navigation, ParkSense® Front and Rear Park Assist¹⁰, Blind Spot Monitoring⁹ and Rear Cross-Path Detection¹⁰, Remote Start and Universal Garage Door Opener¹³

300S Alloy Edition (2DL) — Includes all standard content of 300S and adds or replaces the following content: Liquid Chrome wing badges, Dark Bronze exterior badging, Dark Bronze grille surround, Titanium-finish dual exhaust tips, 20-inch Dark Bronze aluminum wheels (RWD) and 19-inch Dark Bronze aluminum wheels (AWD)

300S Premium Group — Includes Dual-Pane Panoramic Sunroof, power multifunction heated body-colored mirrors, courtesy lamps, supplemental turn signals and auto-dimming driver's mirror, Uconnect 8.4 with Navigation and ParkSense Front and Rear Park Assist¹⁰ (optional with 300S Alloy Edition)

Comfort Group — Includes Adaptive Bi-xenon HID headlamps, power multifunction exterior mirrors, ventilated leather-trimmed front seats with S logo, heated rear seats, power tilt/telescoping steering column, heated steering wheel, driver and passenger lower LED lamps, front and rear LED map pockets, power backlight sun shade, door sill scuffs and rear trunk mat (optional with 300S Alloy Edition)

Driver Convenience Group — Front LED fog lamps, Uconnect 8.4 with Navigation, Remote Start and Universal Garage Door Opener¹³ (NAW 300 Premium Group)

Harman Kardon Audio Group — Includes 19 high-performance speakers, including subwoofer and 900-watt amplifier (rear sunshade is NAW this package)

Interior Sport Appearance Package — Includes performance seats with suede and ventilated seats

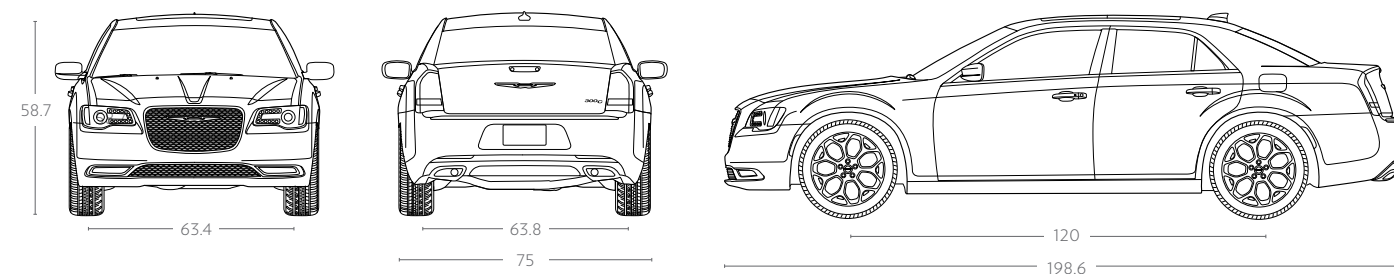
Light Group — Adaptive Bi-xenon High Intensity Discharge (HID) headlamps with auto-leveling

S Model Appearance Package — Includes Sport front fascia, premium SRT® fog lamps, body-color fascia appliqué and SRT rear spoiler (included with 5.7L V8 on 300S, optional with 300S Alloy Edition)

Value Package — Includes Uconnect 8.4 with Navigation Radio, Remote Start, Universal Garage Door Opener¹³, Dual-Pane Panoramic Sunroof and LED fog lamps

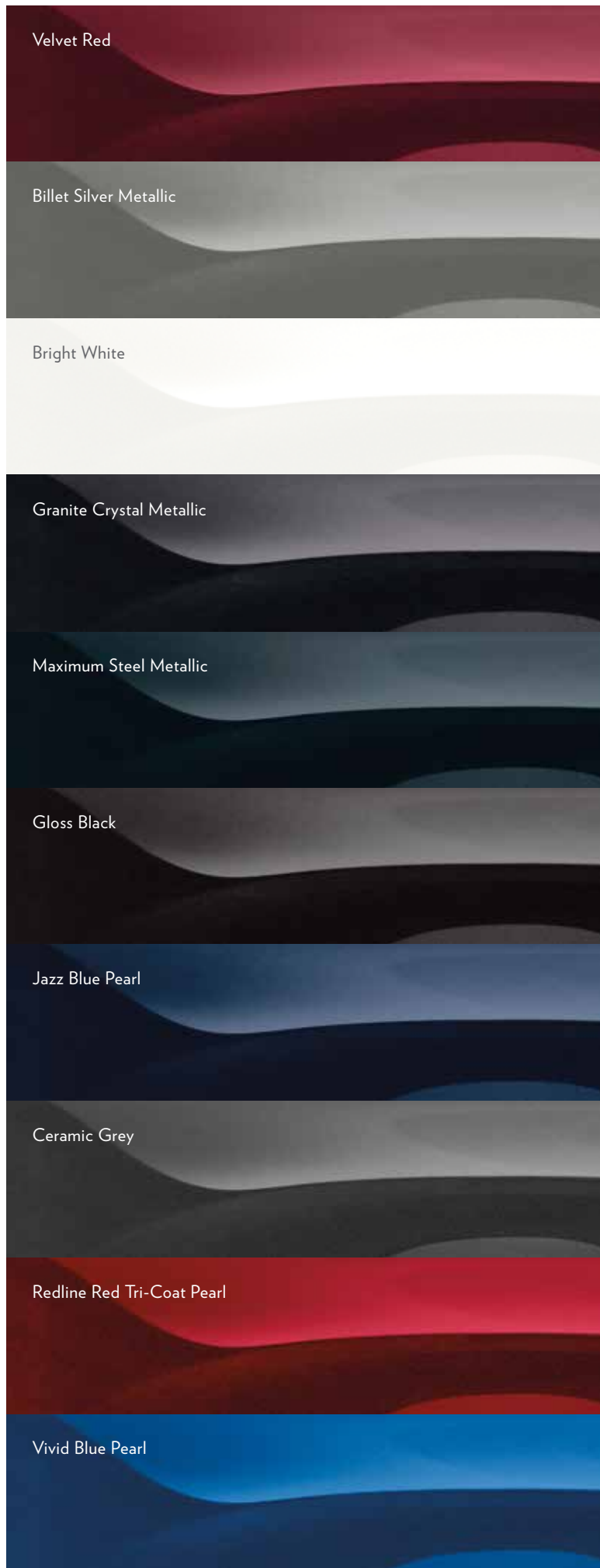
s — standard | o — optional | p — package | NAW — not available with

300 DIMENSIONS (INCHES)



Exterior colors.

As many as ten exterior colors are offered. The paint is developed to accentuate the surfacing of the 300 in terms of how the colors and finishes appear in bright sunlight, overcast or low-light conditions.



300 (standard)



Black Nappa Leather

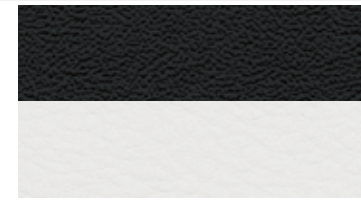


Linen Nappa Leather

300S (standard)



Black Nappa Leather with Light Grey accent stitching and embroidered logo



Black/Smoke Nappa Leather with Light Grey accent stitching and embroidered logo

300S (optional on 300S)



Black Nappa Leather with Alcantara® suede bolsters, Alcantara perforated suede inserts and embroidered logo

300S (optional on Alloy Edition)



Black Nappa Leather with Caramel accent stitching and embroidered logo

300S (optional on 300S with Comfort Group)

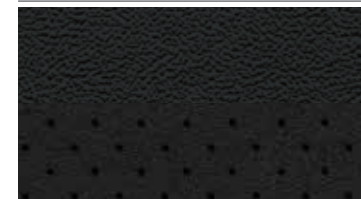


Black Nappa Leather with Axis II perforated inserts, Light Grey accent stitching and embroidered logo



Black/Smoke Nappa Leather with Axis II perforated inserts, Light Grey accent stitching and embroidered logo

300C (standard)



Black Nappa Leather with Axis II perforated inserts

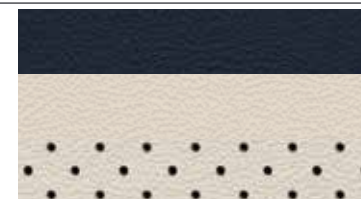


Linen Nappa Leather with Axis II perforated inserts

300C Platinum (standard)



Premium Black Nappa Leather with Axis II perforated inserts



Premium Indigo/Linen Nappa Leather with Axis II perforated inserts

Interior colors.

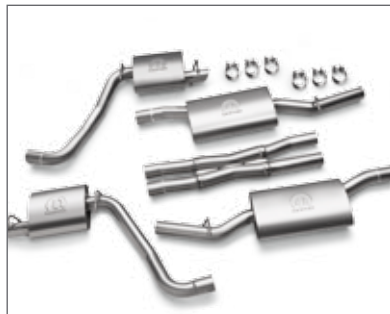
The interior offers sophisticated material and trim combinations with soft surfaces, and contemporary colors to convey an ambiance of luxury and comfort.



Authentic Chrysler Accessories

The 2017 Chrysler 300 embodies sleek sophistication and sporty style. A wide range of Authentic Mopar® Accessories, crafted specifically for these modern sedans, lets you take your active lifestyle even further. From Sport and Cargo Carriers to Performance Parts, Mopar helps bring along the gear to go the distance. Visit your local Chrysler dealership to see the full line of Authentic Accessories for your Chrysler 300.

300 Select Accessories



Cat-Back Exhaust System*

Our performance Cat-Back Exhaust System features T304 stainless steel construction with mandrel-bent tubing and stainless band clamps. This free-flow system helps to provide horsepower and torque gains, a deeper tone and improved fuel efficiency. System is compatible with vehicle's original-equipment exhaust tips.



20-Inch Black Chrome R/T Wheel.

Rev up the custom good looks with this stylish wheel. This unique wheel features a 5-spoke design with a Black Chrome Spinelle finish, and undergoes thorough testing to prove its durability and ensure a long-lasting shine.



Wireless Charging Pad.

Leave your cords behind and slip into the future. Just equip your smartphone with the cover* that integrates wire-free charging technology and the display light lets you know it's charging. Professionally installed and within reach, charging pad makes charging second nature every time you drive your car.



Illuminated Door Sill Guards.

Add a touch of stainless steel style to your vehicle while protecting its interior door sills from scratches. Front sills feature the Chrysler logo, which illuminate when the front doors are open. Sold as a set of four.



Cold Air Intake Kit.*

This kit helps provide horsepower and torque gains under varying atmospheric conditions. With an aggressive sound, this intake provides performance you can hear and feel. The Cold Air Intake Kit includes all necessary mounting hardware and a filter.



Strut Tower Brace.*

Give your vehicle suspension improved handling, braking, chassis rigidity and under-the-hood style with this cost-effective upgrade. The brace functions as a bar between the two strut towers to minimize flex during hard cornering and braking.

*Mopar Performance Parts are sold "as is" unless otherwise noted. *A voucher to redeem applicable wireless smartphone cover is included with purchase of the Wireless Charging Pad. *Available for 5.7L and 6.4L engines only.



The Chrysler Collection • Imported From Detroit®

Bring the Chrysler Brand style and distinction to your lifestyle in and out of your vehicle with professional, active, travel and home accessories and apparel for your favorite Chrysler enthusiast. Shop the complete collection to show you know what earned luxury is all about at collection.chrysler.com



Chrysler Twill Cap Item# 10FU7

Not your traditional baseball cap with its attention to detail. Available in grey. Specifications: Made of brushed cotton twill. Embroidered Chrysler logo on front and embossed Chrysler logo on back buckle.



Chrysler 14-oz Vacuum Tumbler Item# 10ERR

The ultimate laser-engraved titanium tumbler: a refreshing combination of advanced technology and elegant practicality. Available in titanium. Specifications: Dual-wall construction. Stainless steel vacuum insulation. Screw-on lid. Push-button locking closure. Laser-engraved Chrysler logo on one side.



IFD Black T-shirt Item# 102YT

Do you have the know-how that runs generations deep? Prove it with this exceptionally soft, hard-working tee. Available in black. Specifications: Durable rib neckband. Imported From Detroit (IFD) logo on full front chest and back of neck in silver. Made in U.S.A.



Chrysler OGIO® Mercur Backpack Item# 11DF3

Specifications: Fleece-lined pocket for digital media/ audio or valuables. Side mesh beverage pocket. Comfortable straps with elastic shock absorbers, sunglasses loop and elastic pocket. Fits most 17" laptops. Embroidered Chrysler wing design on front pocket. 13-1/2" W x 19" H x 8-1/2" D. Available in black.



Chrysler Chrome Key Ring Item# 1173J

This Chrysler branded chrome key ring lets you easily keep all your keys neatly organized. Specifications: Metal with vinyl strap and chrome trim. Chrome hinged ring with three detachable split rings. Laser-engraved Chrysler name is placed on strap. Available in navy.



Chrysler Vintage Script T-shirt Item# 10YUG

Vintage style and simplicity will set this tee apart from the pack. Available in heathered navy. Specifications: Preshrunk 65% polyester/35% cotton sheer jersey. Chrysler vintage logo screen-printed on front.

300 Limited: Select standard equipment

powertrain
3.6L Pentastar® Variable Valve Timing (VVT) V6
8-speed automatic transmission (RWD/AWD)
Comfort suspension

exterior
Acoustic windshield and front-door glass
Body-color mirror caps and door handles
Automatic projector headlamps
LED Daytime Running Lamps (DRLs)
Chrome LED taillamps
Bright Chrome surround with Black grille
Dual exhaust with bright tips
Power heated mirrors

interior
Leather-trimmed bucket seats
Power driver and passenger seats with 4-way power lumbar adjuster
Heated front seats
60/40 rear seat
Tilt/telescoping steering column

Leather-wrapped steering wheel
Uconnect® 8.4 AM/FM Radio System
6 speakers
Uconnect Access¹⁴
Integrated Voice Command³ with Bluetooth®
Bluetooth Streaming Audio
SiriusXM® Satellite Radio²
Media Hub (2 USB ports and Aux)
Rear-seat USB ports (charging only)

other features
Rotary E-shifter
Keyless Enter 'n Go™/Remote Proximity Entry
Dual-Zone Automatic Temperature Control (ATC)
Speed control
Security alarm
Electric power steering
ParkView® Rear Back-Up Camera¹⁰



standard
18-inch Cast-Aluminum Wheel Fully Polished (WPC)

standard AWD
19-inch Cast-Aluminum Wheel Fully Polished (WPY)

300S: Select standard equipment over 300 Limited

powertrain
Optional 5.7L HEMI® V8 8-speed automatic transmission (RWD)
Performance-tuned suspension

exterior
Headlamps with Black bezels
LED fog lamps
Black LED taillamps
Black Chrome surround with Gloss Black grille

Gloss Black DLO surround molding
Chrysler wing badge with Black accent
5.7L V8: includes S Model Appearance Package

interior
Performance leather-trimmed seats
BeatsAudio™ premium speakers with subwoofer and 552-watt amplifier
Steering-wheel paddle shifters

other features
Remote Start System
Universal Garage Door Opener¹⁵



standard
20-inch (RWD) 19-inch (AWD) Cast-Aluminum Wheel Fully Painted Hyper Black (WRS/WSF)

included on 300S Alloy Edition (2DL)
20-inch (RWD) 19-inch (AWD) Cast-Aluminum Wheel Fully Painted Dark Bronze (WAC/WAD)

300C (with available AWD): Select standard equipment over 300S

powertrain
Optional 5.7L HEMI V8 8-speed automatic transmission (RWD)
Comfort suspension

exterior
Chrome mirrors and door handles
Chrome headlamp bezels
Chrome LED taillamps
Bright Chrome surround with Granite Crystal grille
Chrysler wing badge with Blue accent
Auto-dimming driver mirror
Auto-adjust-in-Reverse mirrors

interior
Premium leather-trimmed bucket seats
Heated and ventilated front seats
Heated second-row seats
Wood/leather heated steering wheel
Power tilt/telescoping steering column
Uconnect 8.4 with Navigation
6 premium speakers with 276-watt amplifier
High-definition radio
SiriusXM Travel Link²
SiriusXM Traffic Plus²
Radio/driver-seat/mirrors memory
Power backlight sunshade

other features
Dual-Pane Panoramic Sunroof



standard
18-inch Cast-Aluminum Wheel Fully Polished (WPC)

standard AWD
19-inch Cast-Aluminum Wheel Fully Polished (WPY)

optional
20-inch Cast-Aluminum Wheel Fully Polished (WFY)

300C Platinum (with available AWD): Select standard equipment over 300C

powertrain
Optional 5.7L HEMI V8 8-speed automatic transmission (RWD)
Touring suspension

exterior
Platinum mirrors and door handles
Platinum Chrome surround with luxury Black grille
Automatic headlamp leveling system
Adaptive Bi-xenon High Intensity Discharge (HID) Headlamps

interior
Luxury perforated Nappa leather-trimmed seats
Luxury leather-wrapped steering wheel
Real-wood interior accents
Steering wheel-mounted paddle shifters
Heated/cooled front console cup holder
Luxury Berber floor mats
19 Harman Kardon® GreenEdge™ speakers
Harman Kardon GreenEdge amplifier



standard
20-inch (RWD) 19-inch (AWD) Cast-Aluminum Wheel Fully Polished with Satin Finish (WDE/WSX)

WARRANTIES

Chrysler Brand vehicles are covered by an FCA US LLC 3-Year or 36,000-Mile Basic Limited Warranty (excludes normal maintenance and wear items), as well as a 5-Year or 60,000-Mile Powertrain Limited Warranty that is fully transferable and includes Roadside Assistance services: Flat Tire, Lockout, Towing, Out of Gas/Fuel Delivery and Battery Jump Assistance. Ask your dealer for details and a copy of these limited warranties.

AUTOMOBILITY

The FCA US LLC Automobility Program provides aftermarket reimbursement incentives on adaptive vehicle upfit equipment in order to help provide safe and reliable vehicle modifications to enhance accessibility for all people. For more information, call (800) 255-9877 or visit chryslerautomobility.com

SIRIUSXM® SATELLITE RADIO²

SiriusXM Satellite Radio² delivers over 160 channels, including commercial-free music, sports, news, talk, entertainment, traffic and weather. Factory-installed SiriusXM Satellite Radio² includes a one-year trial subscription. For more information, go to siriusxm.com

MOPAR® OWNER CONNECT

Your Chrysler Brand vehicle ownership gives you the credentials to access extensive vehicle information, service and maintenance records, recall notifications and special offers through whatever device you prefer – computers, smartphones or tablets! Register your Chrysler Brand vehicle at owners.chrysler.com



Earn 3 points per \$1 on qualifying purchases made at FCA US LLC dealerships, 2 points per \$1 on qualifying travel purchases and 1 point per \$1 on qualifying purchases everywhere else with the new Chrysler MasterCard.® Points may be redeemed at your local dealership for cash off your new or used vehicle, accessories, parts or service – including your next oil change. Or choose from hundreds of other rewards, including travel, cash back to your account, merchandise or gift cards.¹⁵ For more information or to apply, visit ChryslerCard.com

MOPAR® VEHICLE PROTECTION (MVP)

Mopar Vehicle Protection® has a vested interest in your satisfaction and owner experience with your new Chrysler Brand vehicle. MVP is the only extended protection provider backed by the manufacturer, FCA US LLC. We stand behind every MVP plan with certified, factory-trained technicians and the use of authentic Mopar parts. Be sure to ask for a Mopar Vehicle Protection plan at your dealership, call (800) 442-2666 or visit moparvehicleprotection.com

JOIN IN



Join fellow enthusiasts and tell your story by posting comments, participating in discussions, and sharing your Chrysler vehicle photos and videos. Join our community on Facebook (facebook.com/Chrysler), follow us on Twitter (twitter.com/Chrysler), Google+ (plus.google.com/+Chrysler), Instagram (instagram.com/Chrysler), Pinterest (pinterest.com/Chrysler) and check us out on YouTube (youtube.com/TheChryslerChannel). Thank you for following.

GO MOBILE



Take an engaging, multimedia tour of your 300 on your mobile device. Log on to the Chrysler.com mobile site for a comprehensive, at-a-glance review of what you need to know about your vehicle. Experience interactive demonstrations of the entire lineup, gaining access to product information at your fingertips, wherever you go.

(1) No system, no matter how sophisticated, can repeal the laws of physics or overcome careless driving actions. Performance is limited by available traction, which snow, ice and other conditions can affect. When the ESC warning lamp flashes, the driver needs to use less throttle and adapt speed and driving behavior to prevailing road conditions. Always drive carefully, consistent with conditions. Always wear your seat belt. (2) SiriusXM subscriptions for audio and data services are sold by SiriusXM to follow your trial subscription. If you decide to continue listening after your trial, the subscription plan you choose will automatically renew thereafter and you will be charged according to your chosen payment method at then-current rates. Fees and taxes apply. To cancel, you must call SiriusXM at 1-866-635-2349. See the SiriusXM Customer Agreement for complete terms and more information at www.siriusxm.com. All fees and programming subject to change. Your equipment and features for SiriusXM services will vary depending upon the vehicle you select and may be limited in select markets. (3) Requires a mobile phone equipped with the Bluetooth Hands-Free Profile. Visit UconnectPhone.com for system and device compatibility. (4) Siri Eyes Free requires an iPhone equipped with Siri. Certain features not available while the vehicle is in motion. iPhone must be within active cellular range. Customer's existing iPhone data rates apply to internet supported features. (5) Voice Text Reply and Voice Texting features require a compatible mobile device enabled with Bluetooth Message Access Profile (MAP). iPhone and some other smartphones do not currently support Bluetooth MAP. Visit www.UconnectPhone.com for system and device compatibility. Ensure MAP is ON and incoming message notification is enabled. Vehicle must be registered for Uconnect Access and you must fulfill minimum subscription requirements. Also requires the use of a compatible smartphone that supports text messaging and Bluetooth. Check UconnectPhone.com for device compatibility. (6) This system is a driver convenience system, not a substitute for active driver involvement. The driver must remain aware of traffic conditions and be prepared to use the brakes to avoid collisions. (7) The Advanced Front Air Bags in this vehicle are certified to the new U.S. Federal regulations for Advanced Air Bags. Children 12 years old and younger should always ride buckled up in a rear seat. Infants in rear-facing child restraints should never ride in the front seat of a vehicle with a passenger front airbag. All occupants should always wear their lap and shoulder belts properly. (8) This system is not intended to avoid collisions on its own, nor can FCW detect every type of potential crashes. The driver must remain aware of traffic conditions and prepared to brake and steer to avoid potential collisions at all times. (9) Always check visually for vehicles prior to changing lanes. (10) Always look before proceeding. An electronic drive aid is not a substitute for conscientious driving. Always be aware of your surroundings. (11) This system is a driver convenience system, not a substitute for active driver involvement. The driver must remain aware of traffic conditions and maintain control of the vehicle. (12) Always sit properly with the head restraint properly adjusted. Never place anything in front of the head restraint. (13) Not compatible with all garage doors. (14) Uconnect Access is available only on equipped vehicles purchased within the contiguous United States plus Alaska. Services can only be used where cellular coverage is available, see coverage map for details. For a complete list of Uconnect Access services, please visit http://www.driveuconnect.com/features/uconnect_access/packages/. Vehicle must be registered for Uconnect Access and fulfill minimum subscription requirements. (15) Complete details, including restrictions, limitations and exclusions, will be available when you become a Cardmember. MasterCard is a registered trademark of MasterCard International Incorporated. This card is issued by First Bankcard, a division of First National Bank of Omaha, pursuant to a license by MasterCard International Incorporated.

©2016 FCA US LLC. All rights reserved. Chrysler, Jeep, Dodge, Ram, Mopar, SRT, the Chrysler wing design, Chrysler 300, Automobility Program, HEMI, Imported From Detroit, LaneSense, the Mopar Owner Connect design, Mopar Vehicle Protection, ParkSense, ParkView, Pentastar, Sentry Key and Uconnect are registered trademarks, and Keyless Enter 'n Go and SafetyTec are trademarks of FCA US LLC.

Alcantara is a registered trademark of Alcantara S.p.A. Android Auto, Google Play, Google+ and YouTube are registered trademarks of Google Inc. App Store, CarPlay, iPad, iPhone, iPod, iTunes and Siri are registered trademarks of Apple Inc. The trademarks Beats by Dr. Dre, Beats, BeatsAudio and the b logo are the property of Beats Electronics, LLC. Bluetooth is a registered trademark of Bluetooth SIG, Inc. Facebook is a registered trademark of Facebook, Inc. Garmin and the Garmin logo are registered trademarks of Garmin, Ltd. or its subsidiaries and are registered in one or more countries. Logic 7 and Harman Kardon are registered trademarks and GreenEdge is a trademark of Harman International Industries Inc. Instagram is a registered trademark of Instagram, Inc. OGIO is a registered trademark of OGIO International. Pinterest is a registered trademark of Pinterest, Inc. Sirius, XM and all related marks and logos are trademarks of SiriusXM Radio Inc. The Twitter name, logo, Twitter T, Tweet and Twitter bird are trademarks of Twitter, Inc. in the United States and other countries.

This brochure is a publication of FCA US LLC. All product illustrations and specifications are based upon current information at the time of publication approval. FCA US LLC reserves the right to make changes from time to time, without notice or obligation, in prices, specifications, colors, materials and to change or discontinue models, which are considered necessary to the purpose of product improvement or for reasons of design and/or marketing.

This is Chrysler. This family carries more than passengers — it carries the legendary art of exclusive design for all.



300S shown in Redline Red Tri-Coat Pearl with S Model Appearance Package

300C Platinum shown in Maximum Steel Metallic



IMPORTED FROM DETROIT®

1-800-Chrysler
Chrysler.com

74-383-2709
Chrysler is a registered trademark of FCA US LLC.